

## A - ENGINE/VIN ID

### Article Text

1992 Dodge Colt

For a a a a

Copyright © 1998 Mitchell Repair Information Company, LLC

Saturday, April 27, 2002 06:12PM

## ARTICLE BEGINNING

1992 ENGINE PERFORMANCE

Chrysler Motors/Mitsubishi Introduction

## MODEL IDENTIFICATION

### CHRYSLER MOTORS MODEL IDENTIFICATION

#### MODEL IDENTIFICATION TABLE (CHRYSLER MOTORS)

MODEL	BODY CODE (1)	ENGINE (2)	ENGINE ID (3)	FUEL SYSTEM	IGNITION SYSTEM (4)
Colt	U	1.5L (4G15) SOHC	A	PFI	Optical
Colt 200 (5)	U	1.5L (4G15) SOHC	A	PFI	Optical
Colt Vista	V, W	1.8L (4G93) SOHC	D	PFI	Optical
		2.4L (4G64) SOHC	W	PFI	Hall Effect
Ram-50	L, M	2.4L (4G64) SOHC	W	PFI	Optical
		3.0L V6 (6G72) SOHC	S	PFI	Optical
Stealth	D, E	3.0L V6 (6G72) SOHC	S	PFI	Optical
		3.0L V6 (6G72) DOHC	B	PFI	DIS
		3.0L V6 (6G72) DOHC Turbo	C	PFI	DIS
Summit	U	1.5L (4G15) SOHC	A	PFI	Optical
Summit Wagon	V, W	1.8L (4G93) SOHC	D	PFI	Hall Effect
		2.4L (4G64) SOHC	W	PFI	Optical

(1) - Body code is 5th character of Vehicle Identification Number (VIN), located on upper left corner of instrument panel.

(2) - See ENGINE CODE LOCATION.

(3) - Engine ID is 8th character of VIN.

(4) - Ignition timing is computer controlled. On all models with Distributorless Ignition System (DIS), crank angle sensor is mounted in place of distributor.

(5) - Canadian model.

**A - ENGINE/VIN ID****Article Text (p. 2)**

1992 Dodge Colt

For a a a a

Copyright © 1998 Mitchell Repair Information Company, LLC

Saturday, April 27, 2002 06:12PM

**MITSUBISHI MODEL IDENTIFICATION**

## MODEL IDENTIFICATION TABLE (MITSUBISHI)

MODEL	BODY CODE (1)	ENGINE (2)	ENGINE ID (3)	FUEL SYSTEM	IGNITION SYSTEM (4)
Diamante	C	3.0L (6G72) SOHC	S	PFI	Optical
		3.0L (6G72) DOHC	B	PFI	DIS
Eclipse	S, T	1.8L (4G37) SOHC	T	PFI	Optical
		2.0L (4G63) DOHC	R	PFI	DIS
		2.0L (4G63) DOHC Turbo	U	PFI	DIS
Expo/ Expo LRV	V, W, Y, Z	1.8L (4G93) SOHC	D	PFI	Hall Effect
		2.4L (4G64) SOHC	W	PFI	Optical
Galant	R, X	2.0L (4G63) SOHC	V	PFI	Optical
		2.0L (4G63) DOHC	R	PFI	DIS
		2.0L (4G63) DOHC Turbo	U	PFI	DIS
Mirage	U	1.5L (4G15) SOHC	A	PFI	Optical
		1.6L (4G61) DOHC	Y	PFI	DIS
Montero	K	3.0L V6 (6G72) SOHC	S	PFI	Optical
Pickup	L, M	2.4L (4G64) SOHC	W	PFI	Optical
		3.0L V6 (6G72) SOHC	S	PFI	Optical
Precis	A, F, D	1.5L (G4AJK) SOHC	J	PFI	Optical
3000GT	D, E	3.0L V6 (6G72) DOHC	B	PFI	DIS
		3.0L V6 (6G72) DOHC Turbo	C	PFI	DIS

(1) - Body code is 5th character of Vehicle Identification Number (VIN), located on upper left corner of instrument panel.

# A - ENGINE/VIN ID

## Article Text (p. 3)

1992 Dodge Colt

For a a a a

Copyright © 1998 Mitchell Repair Information Company, LLC

Saturday, April 27, 2002 06:12PM

- (2) - See ENGINE CODE LOCATION.
- (3) - Engine ID is 8th character of VIN.
- (4) - Ignition timing is computer controlled. On all models with Distributorless Ignition System (DIS), crank angle sensor is mounted in place of distributor.

### VIN DEFINITION

(VIN)        J   B   3   C   U   1   4   X   1   N   U   1   2   3   4   5   6  
              1   2   3   4   5   6   7   8   9   10 11 12 13 14 15 16 17

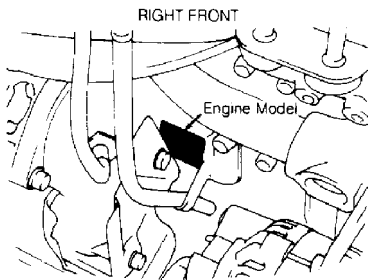
- 1 - Indicates Nation of Origin.
- 2 - Indicates Manufacturer.
- 3 - Indicates Vehicle Type.
- 4 - Indicates Restraint System.
- 5 - Indicates Model.
- 6 - Indicates Vehicle Series.
- 7 - Indicates Body Type.
- 8 - Indicates Engine Type and Make.
- 9 - Indicates Check Digit.
- 10 - Indicates Model Year.
- 11 - Indicates Assembly Plant.
- 12-17 - Indicates Plant Sequential Number.

### MODEL YEAR VIN CODE APPLICATION TABLE

VIN Code	Model Year
L .....	1990
M .....	1991
N .....	1992

### ENGINE CODE LOCATION

COLT, ECLIPSE, MIRAGE & SUMMIT 1.5L, 1.6L, 1.8L & 2.0L



COLT, COLT 200, ECLIPSE, MIRAGE & SUMMIT  
1.5L, 1.6L, 1.8L & 2.0L

90117341

Fig. 1: Engine Code Location (Colt, Eclipse, Mirage & Summit)  
Courtesy of Chrysler Motors.

**A - ENGINE/VIN ID**

**Article Text (p. 4)**

1992 Dodge Colt

For a a a a

Copyright © 1998 Mitchell Repair Information Company, LLC  
Saturday, April 27, 2002 06:12PM

COLT VISTA, EXPO, EXPO LRV & SUMMIT WAGON 1.8L

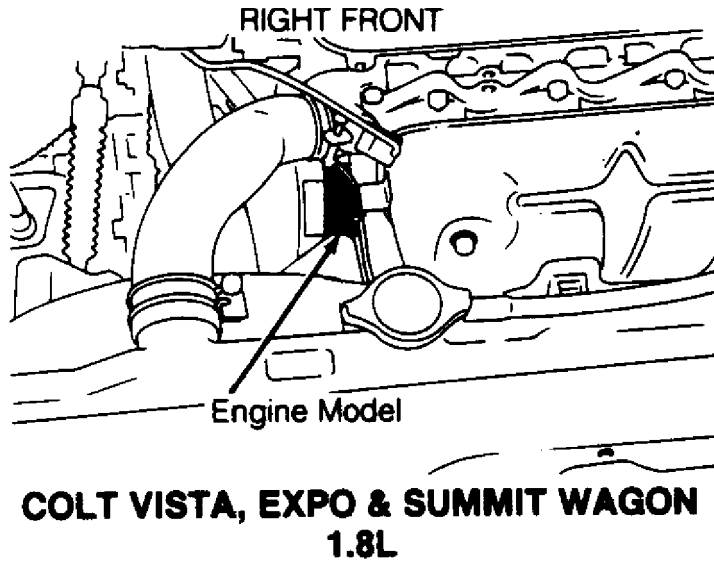


Fig. 2: Engine Code Location (Colt Vista, Expo/Expo LRV & Summit Wagon 1.8L)  
Courtesy of Chrysler Motors.

COLT VISTA, EXPO, EXPO LRV & SUMMIT WAGON 2.4L

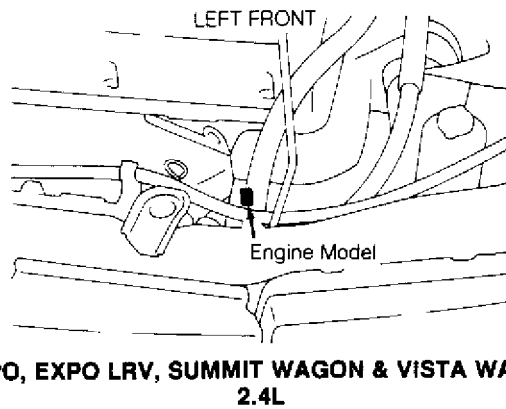


Fig. 3: Engine Code Location (Colt Vista, Expo/Expo LRV & Summit Wagon 2.4L)  
Courtesy of Chrysler Motors.

DIAMANTE 3.0L

**A - ENGINE/VIN ID**

**Article Text (p. 5)**

1992 Dodge Colt

For a a a a

Copyright © 1998 Mitchell Repair Information Company, LLC

Saturday, April 27, 2002 06:12PM

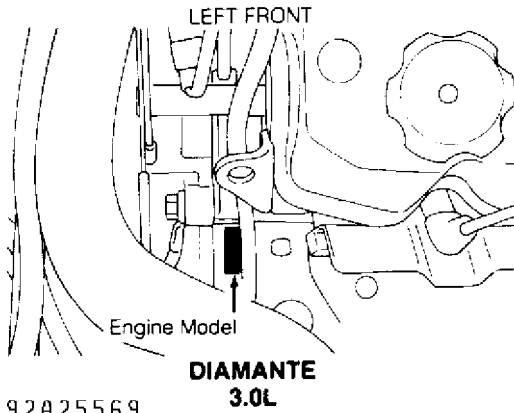


Fig. 4: Engine Code Location (Diamante 3.0L)  
Courtesy of Chrysler Motors.

**GALANT 2.0L**

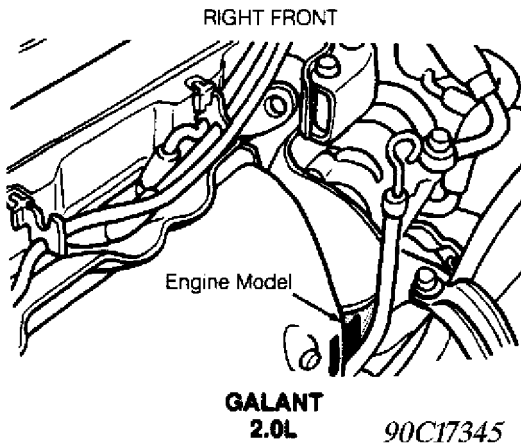


Fig. 5: Engine Code Location (Galant 2.0L)  
Courtesy of Chrysler Motors.

**MONTERO 3.0L**

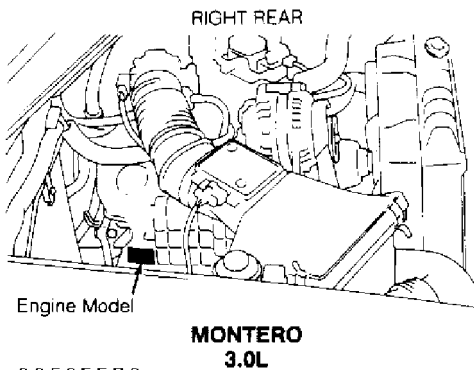


Fig. 6: Engine Code Location (Montero 3.0L)  
Courtesy of Chrysler Motors.

**A - ENGINE/VIN ID**

**Article Text (p. 6)**

1992 Dodge Colt

For a a a a

Copyright © 1998 Mitchell Repair Information Company, LLC

Saturday, April 27, 2002 06:12PM

**PICKUP & RAM-50 2.4L**

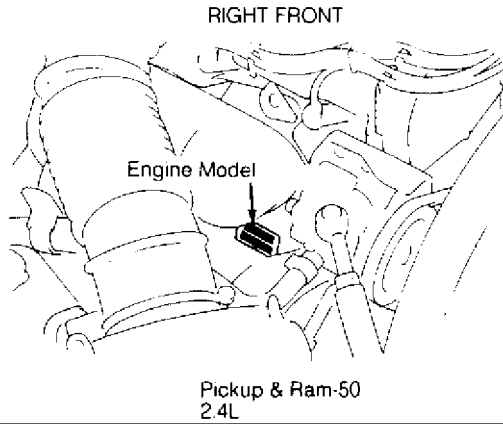


Fig. 7: Engine Code Location (Pickup & Ram-50 2.4L)  
Courtesy of Chrysler Motors.

**PICKUP & RAM-50 3.0L**

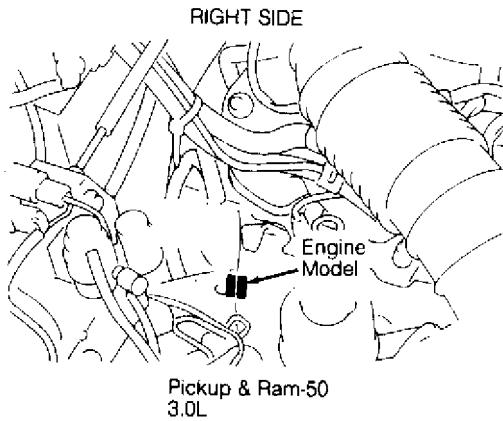


Fig. 8: Engine Code Location (Pickup & Ram-50 3.0L)  
Courtesy of Chrysler Motors.

**PRECIS 1.5L**

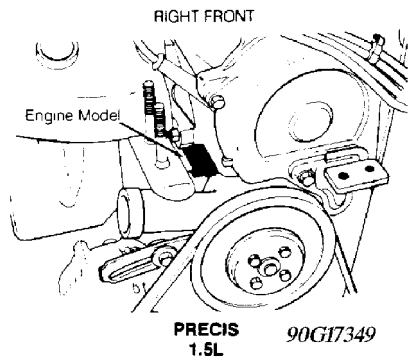


Fig. 9: Engine Code Location (Precis 1.5L)  
Courtesy of Chrysler Motors.

**A - ENGINE/VIN ID**

**Article Text (p. 7)**

1992 Dodge Colt

For a a a a

Copyright © 1998 Mitchell Repair Information Company, LLC  
Saturday, April 27, 2002 06:12PM

STEALTH & 3000GT 3.0L

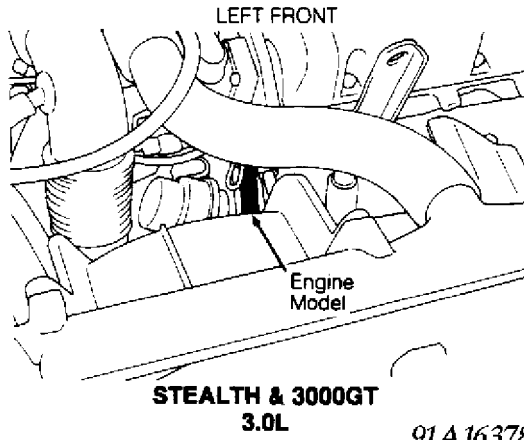


Fig. 10: Engine Code Location (Stealth & 3000GT 3.0L)  
Courtesy of Chrysler Motors.

**END OF ARTICLE**